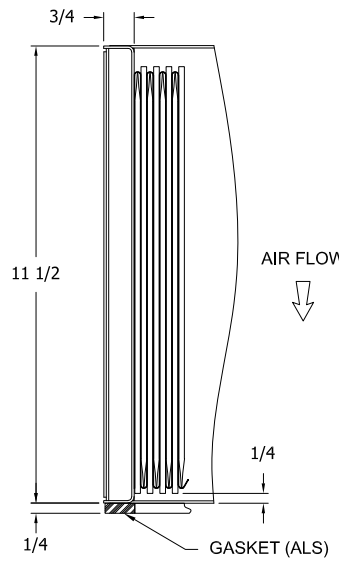
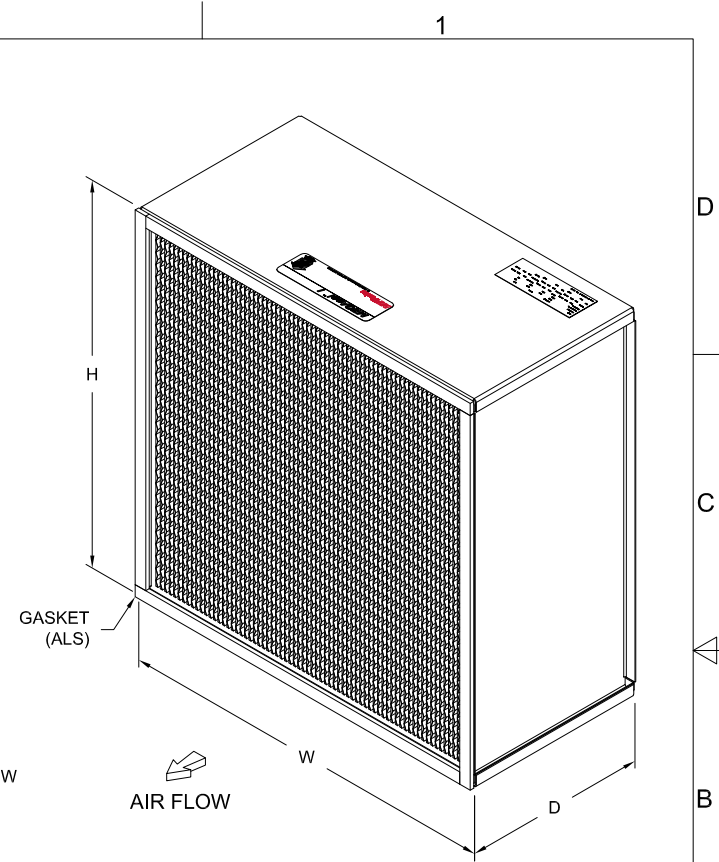


99.95% EFFICIENCY on 0.12 µm (H13)				
Qty	Part Number	Size (in) (H x W x D)	Style Code	RATED CFM @ 0.75 in wg
		24 x 24 x 11-1/2	E24A24AA1P21T20BA	2000
		24 x 12 x 11-1/2	E24A12AA1P21T20BA	935
		12 x 24 x 11-1/2	E12A24AA1P21T20BA	935
		23-3/8 x 23-3/8 x 11-1/2	E23D23DA1P21T20BA	1900
		23-3/8 x 11-3/8 x 11-1/2	E23D11DA1P21T20BA	850
		11-3/8 x 23-3/8 x 11-1/2	E11D23DA1P21T20BA	850

99.995% EFFICIENCY on 0.12 µm (H14)				
Qty	Part Number	Size (in) (H x W x D)	Style Code	RATED CFM @ 1.0 in wg
		24 x 24 x 11-1/2	E24A24AA1T22T20BA	2000
		24 x 12 x 11-1/2	E24A12AA1T22T20BA	935
		12 x 24 x 11-1/2	E12A24AA1T22T20BA	935
		23-3/8 x 23-3/8 x 11-1/2	E23D23DA1T22T20BA	1900
		23-3/8 x 11-3/8 x 11-1/2	E23D11DA1T22T20BA	850
		11-3/8 x 23-3/8 x 11-1/2	E11D23DA1T22T20BA	850

OPTIONS	CHECK BOX
GASKET MATERIAL	URETHANE
	EPDM
GASKET LOCATION	UPSTREAM
	BOTH FACES
	NONE
FACEGUARD	UPSTREAM
	DOWNSTREAM
	BOTH FACES
FRAME	304 SS
	409 SS
	ALUMINUM



SIDE SECTION

NOTES:

- FRAME - 18 GA. GALVANIZED, COLD ROLLED STEEL
- TOLERANCE:
 - HEIGHT AND WIDTH - >12" +0, -0.125"
 - <=12" +0, -.0625"
 - DEPTH - +.0625, -0
 - DIAGONALS - <=30" DIAGONALS WITHIN 0.125"
 - >30" DIAGONALS WITHIN 0.250"
- SEPARATORS - TAPERED CORRUGATED ALUMINUM FOIL
- SEALANT - PHOSPHORUS FREE, FIRE RETARDANT POLYURETHANE
- MEDIA - PAO COMPATIBLE EXPANDED POLYTETRAFLUOROETHYLENE (eFRM)
- GASKET - MEMBRANE WITH PROTECTIVE NON WOVEN SYNTHETIC SCRIM
- CLASSIFICATION - 0.25" THICK X 0.75" WIDE NEOPRENE SPONGE DOWNSTREAM
- UL-900
- MAXIMUM OPERATING TEMPERATURE - 175°F

SALES/SUBMITTAL DRAWING			THIRD ANGLE PROJECTION	MODELED BY: — DATE: —	TITLE		ESTIMATED WEIGHT:	DRAWING NUMBER	
APPROVAL BLOCK			<input type="checkbox"/> OKAY AS IS <input type="checkbox"/> OKAY WITH REVISIONS NOTED SIGNATURE: _____ DATE: _____		DRAWN BY: GAC DATE: 25AUG2020 CHECKED BY: CC DATE: 25AUG2020 APPROVED BY: MAR DATE: 25AUG2020	SUBMITTAL - MEGAcel I eFRM (EN1822) METAL FRAME, GASKET SEAL		105	3175958
			TOLERANCE UNLESS NOTED OTHERWISE ± 1/16" - ± 1/2"				SECTION NUMBER: 105	SHEET SIZE: B	DRAWING NUMBER: 3175958
								SHEET 1 OF 1	REV

4

3

2

1